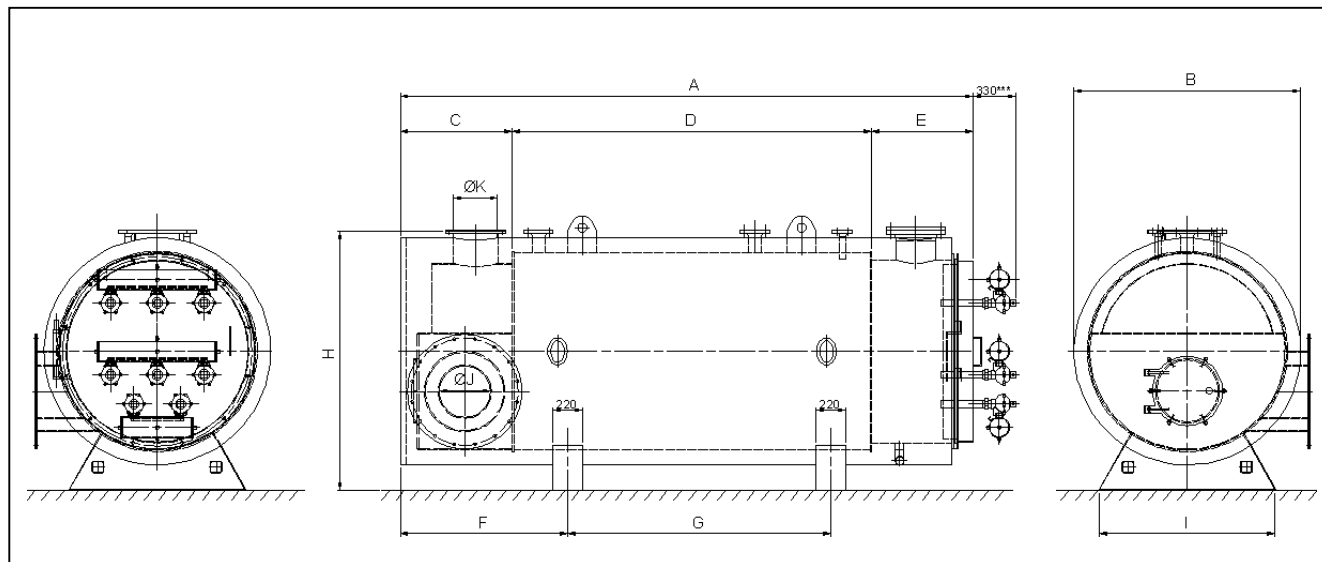


WHRB

2-pass Hot Water Boiler designed for flue gas cooling

Dimension Drawing



Flue gas amount	Nm ³ /h	1500	2000	2500	3000	4000	5000
Heat output *	kW	425	568	710	850	1135	1420
Flue gas temp. out *	°C	150	150	150	150	150	150
Flue gas pressure drop *	mbar	5,0	5,0	5,0	6,0	7,0	7,0
Heat output **	kW	488	650	810	975	1300	1625
Flue gas temp. out **	°C	160	160	160	160	160	160
Flue gas pressure drop **	mbar	6,0	6,0	6,0	7,0	8,0	8,0
A	mm	4700	4900	5000	5200	5500	5600
B	mm	1400	1450	1550	1600	1700	1800
C	mm	1000	1100	1200	1300	1400	1500
D	mm	3100	3200	3200	3300	3500	3500
E	mm	600	600	600	600	600	600
F	mm	1515	1590	1545	1705	1805	1890
G	mm	2200	2300	2300	2400	2550	2600
H	mm	1700	1750	1850	1900	2000	2100
I	mm	800	875	950	950	1050	1050
ØJ	mm	450	525	580	640	740	825
ØK	mm	275	325	360	400	460	515
Flow/return	DN	65	80	80	100	100	125
Safety valve (1 off)	DN	25	32	40	40	50	50
Transport weight, 6 bar-g	kg	3500	4000	4600	5200	6200	7500
Water capacity	L	3000	3250	3600	4100	4650	5500

* Calculated with Flue gas from incinerator at 850 °C, water temp. 95°C / 75°C

** Calculated with Flue gas from incinerator at 950 °C, water temp. 95°C / 75°C

*** length including Danstoker soot blowing system, type Danblast

The manufacture reserves the right to make alternations ! (31/10/2017)